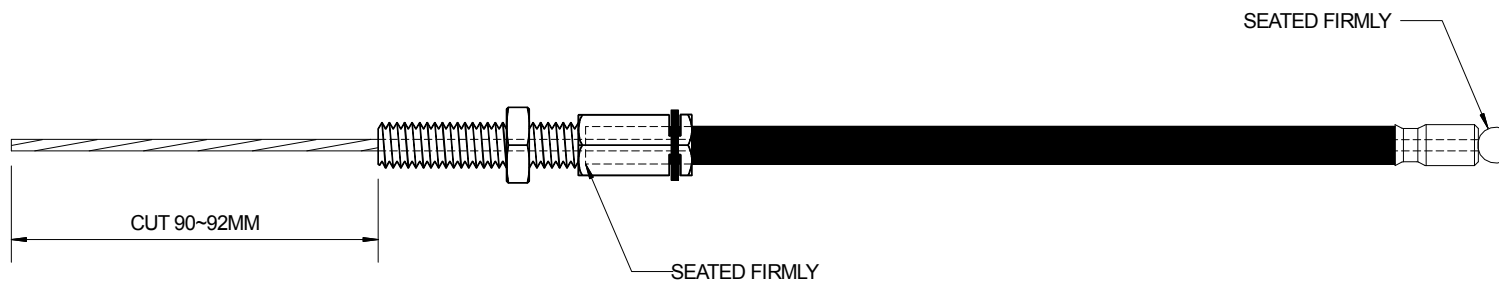
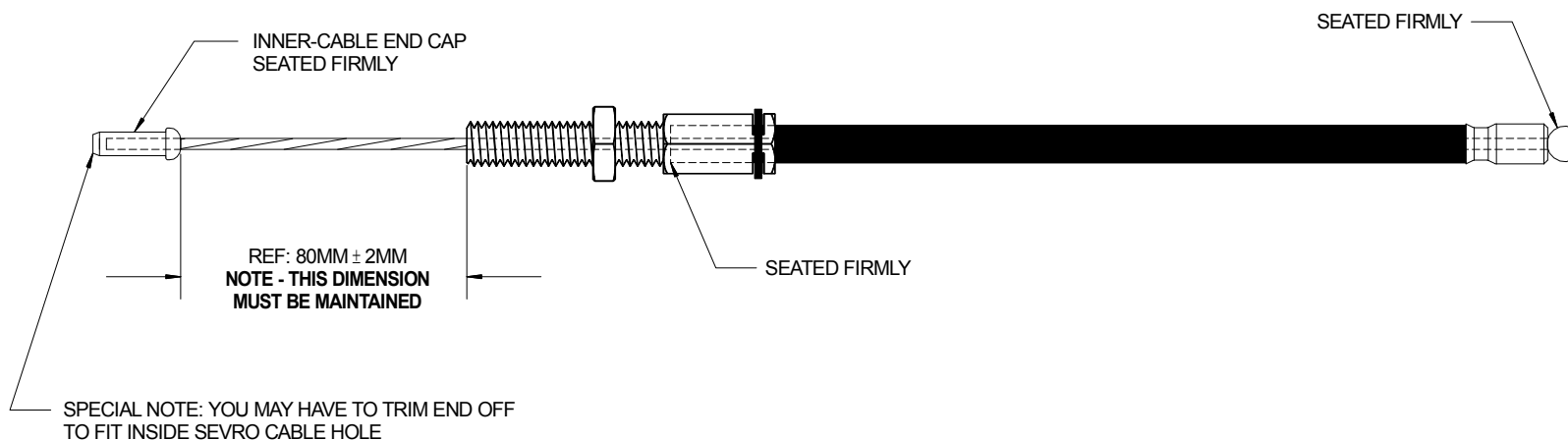


STEP 4: CUT INNER-ROPE  
CABLE TO 90MM AS SHOWN.

ENSURE ALL COMPONENTS  
ARE SEATED FIRMLY!



STEP 5: INSTALL CABLE CAP.  
USE PLIERS OR CRIMPING TOOL  
TO SECURE FIRMLY.



ALL DIMENSIONS IN MM